

## DESCRIPTION

- SMD LED technology for indoor installation.
- Hours, minutes and seconds display.
- Fixed or alternate time with date or week number display or timer display or temperature (probe integrated in the clock) or chronometer display (optional chronometer keyboard - count up or countdown).
- Height of digits 5 cm, optimal viewing distance: 20 metres.
- Angle of vision: 120°.
- LED colours: red, green, yellow, blue and white.
- Models: independent, impulse, wireless DCF, wireless DHF, AFNOR, NTP/ETH and NTP/Wi-Fi.



## STANDARDS

- EMC: EN55032, EN55024.
- LVD: EN60950.
- RED (radio models): EN301-489-3.
- IEEE 802.11 b/g (NTP/Wi-Fi model).

## GENERAL FEATURES

- **Adjustable brightness**..... 4 levels.
- **Display mode**..... 12 or 24 hour.
- **Eco mode**..... Programmable energy saving or predefined over a time period.
- **Time change**..... Automatic summer/winter time changeover and perpetual calendar.
- **Time base backup**.....
  - Independent model: 15 days in case of power failure.
  - Impulse model: in case of power failure, data saving and impulses reception without battery.
  - Synchronised models: at each start the clocks wait for the synchronisation signal.
- **Time accuracy**..... 0.2 second/day (except NTP model: precision dependent on the time server).
- **Operation**..... Silent.
- **Digit**..... 7 segments with 3 LEDs each.
- **Hours and minutes separating**..... Colon made of LEDs.
- **Configuration**..... 2 capacitive buttons.
- **NTP/ETH and NTP/Wi-Fi models**.....
  - Synchronisation unicast, multicast and by DHCP.
  - Advanced configuration from the embedded web server.

## MECHANICAL FEATURES

- **Construction**..... PC/ABS black (IP30, IK07) and PMMA (poly methyl methacrylate) cristal.
- **Operating temperature range**..... -5 to +55°C.
- **Weight**..... 0.49 Kg.
- **Dimensions**..... See on the back.

## ELECTRICAL FEATURES

- **Power supply**.....
  - Independent, impulse, AFNOR, DHF and NTP/Wi-Fi models: 100-240VAC.
  - Wireless DCF model: 230VAC.
  - NTP/ETH model: PoE (Power over Ethernet) – class 0.
- **Consumption (max)**.....
  - 100-240 VAC ; 250-150 mA.
  - 230 VAC ; 35 mA.
  - NTP/ETH receiver ; 3 W (red, green, yellow) ; 1.7 W (blue, white).
- **Electric protection**.....
  - NTP/ETH model: Class 3.
  - Other Synchronisations: Class 2.

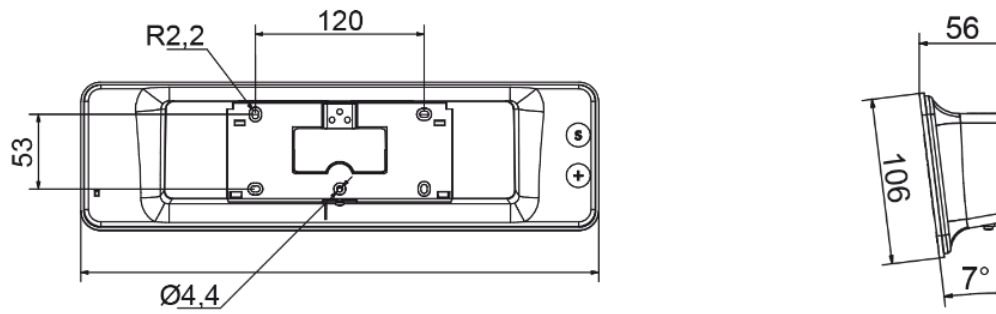
## STYLE 55 REFERENCES (BY SYNCHRONISATION)

- |                |                   |                |                              |
|----------------|-------------------|----------------|------------------------------|
| • 946 21x..... | Independent model | • 946 28x..... | NTP/Wi-Fi model              |
| • 946 22x..... | Impulse model     | • 946 001..... | Double sided hanging bracket |
| • 946 23x..... | DCF model         | • 946 002..... | Single sided hanging bracket |
| • 946 24x..... | DHF model         | • 946 051..... | Style Timer Controller       |
| • 946 25x..... | AFNOR model       | • 946 080..... | External Wi-Fi antenna       |
| • 946 27x..... | NTP/ETH model     |                |                              |
- Specify the LED colour by replacing the "x" in the reference number by: 1: red - 2: green - 3: yellow - 4: blue - 5: white



## WALL MOUNTING

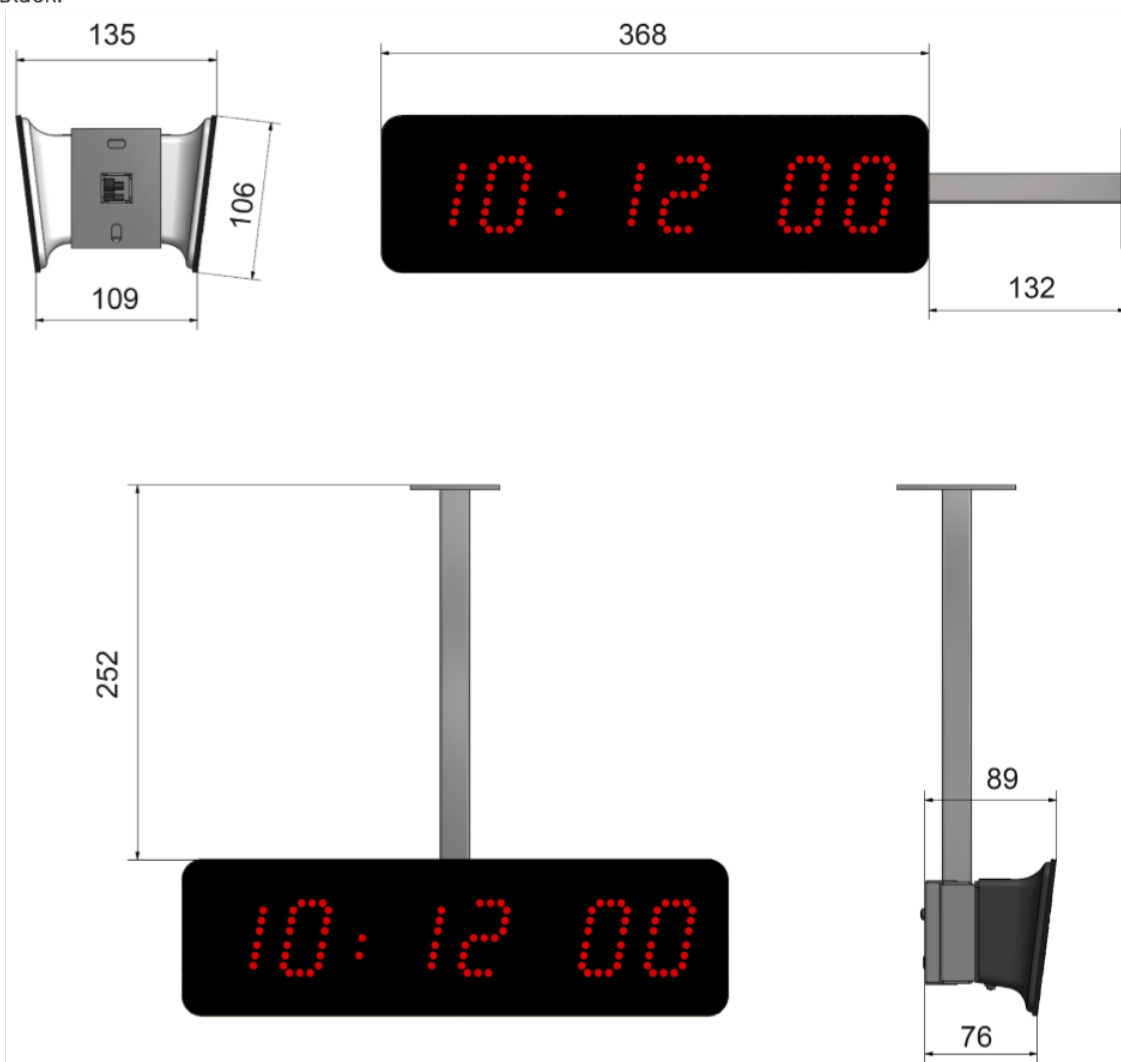
Dimensions in mm



## MOUNTING ON HANGING BRACKET

- The hanging bracket makes possible to hang the clock from the ceiling or from the wall.
- Construction: Steel.
- Colour: Black.

Dimensions in mm



Réf.: 643M710 09/20