

DESCRIPTION

- SMD LED technology for indoor installation.
- Hours and minutes display.
- Fixed or alternate time with date or week number display or temperature (temperature probe integrated in the clock).
- Height of digits 5 cm, optimal viewing distance: 20 metres.
- Angle of vision 120°.
- LED colours: red, green, yellow, blue and white.
- Models: independent, impulse, wireless DCF, wireless DHF, AFNOR, NTP/ETH and NTP/Wi-Fi.



STANDARDS

- EMC: EN55032, EN55024.
- LVD: EN62368-1.
- RED (radio models): EN301-489-3.
- IEEE 802.11 b/g (NTP/Wi-Fi model).

GENERAL FEATURES

- **Adjustable brightness**..... 4 levels.
- **Display mode**..... 12 or 24 hour.
- **Eco mode**..... Programmable energy saving or predefined over a time period.
- **Time change**..... Automatic summer/winter time changeover and perpetual calendar.
- **Time base backup**.....
 - Independent model: 15 days in case of power failure.
 - Impulse model: in case of power failure, data saving and impulses reception without battery.
 - Synchronised models: at each start the clocks wait for the synchronisation signal.
- **Time accuracy**..... 0.2 second/day (except NTP model: precision dependent on the time server).
- **Operation**..... Silent.
- **Digit**..... 7 segments with 3 LEDs each.
- **Hours and minutes separating**..... Colon made of LEDs.
- **Configuration**..... 2 capacitive buttons.
- **NTP/ETH and NTP/Wi-Fi models**.....
 - Synchronisation unicast, multicast and by DHCP.
 - Advanced configuration from the embedded web server.

MECHANICAL FEATURES

- **Construction**..... PC/ABS black (IP30, IK07) and PMMA (poly methyl methacrylate) cristal.
- **Operating temperature range**..... -5 to +55°C.
- **Weight**..... 0.35 Kg.
- **Dimensions**..... See on the back.

ELECTRICAL FEATURES

- **Power supply**.....
 - Independent, impulse, AFNOR, DHF and NTP/Wi-Fi models: 100-240VAC.
 - Wireless DCF model: 230VAC.
 - NTP/ETH model: PoE (Power over Ethernet) – class 0.
- **Consumption (max)**..... 100-240 VAC ; 250-150 mA.
230 VAC ; 35 mA.
NTP/ETH receiver ; 3 W (red, green, yellow) ; 1.5 W (blue, white).
- **Electric protection**..... NTP/ETH model: Class 3.
Other Synchronisations: Class 2.

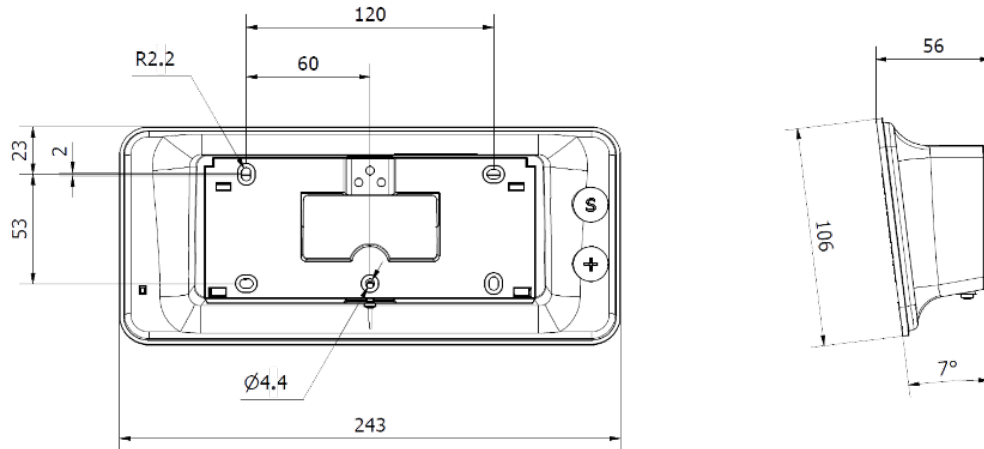
STYLE 5 REFERENCES (BY SYNCHRONISATION)

- | | |
|--|---|
| • 946 11x Independent model | • 946 18x NTP/Wi-Fi model |
| • 946 12x Impulse model | • 946 001 Double sided hanging bracket |
| • 946 13x DCF model | • 946 002 Single sided hanging bracket |
| • 946 14x DHF model | • 946 080 External Wi-Fi antenna |
| • 946 15x AFNOR model | |
| • 946 17x NTP/ETH model | |
- Specify the LED colour by replacing the "x" in the reference number by: 1: red - 2: green - 3: yellow - 4: blue - 5: white



WALL MOUNTING

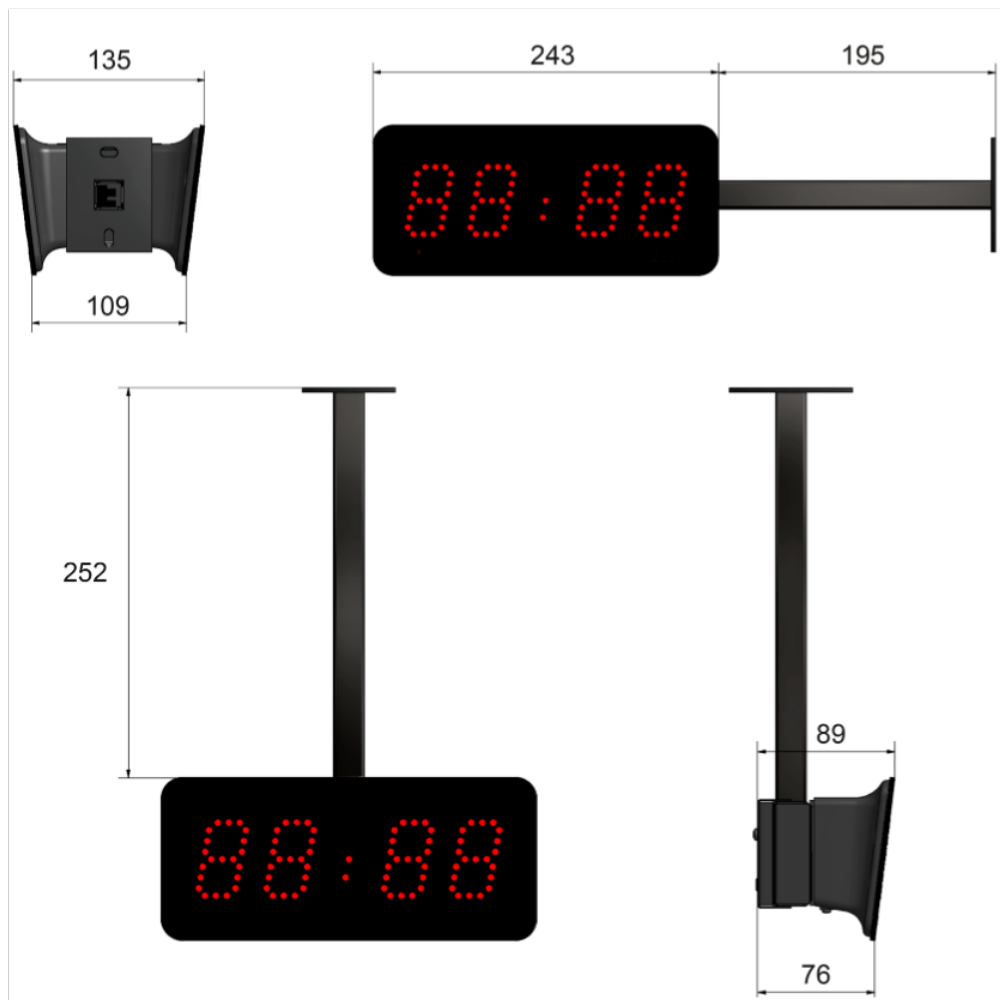
Dimensions in mm



MOUNTING ON HANGING BRACKET

- The hanging bracket makes possible to hang the clock from the ceiling or from the wall.
- Construction: Steel.
- Colour: Black.

Dimensions in mm



Réf.: 643MS1N 09/20

DESCRIPTION

- Style 5 flush mounting digital clock having the same electronics and the same operation than the normal version except for the temperature. However the mechanics are different to allow for flush mounting in a wall.
- LED colours: red.
- Models: independent, impulse, wireless DHF*, AFNOR and NTP/ETH.

FLUSH MOUNT VERSION



GENERAL FEATURES

- Same as Style 5 normal version (see page 1).

MECHANICAL FEATURES

- **Construction**..... Black steel (IP30, IK07) and PMMA (poly methyl methacrylate) cristal.
- **Operating temperature range**..... 0 to +50°C.
- **Weight**..... 0.650 kg (NTP : 0.630 kg).
- **Dimensions**..... See next page.

ELECTRICAL FEATURES

- Same as Style 5 normal version (see page 1).

REFERENCES STYLE RECESSED 5 (BY SYNCHRONISATION)

- 946 111 F..... Independent model
- 946 121 F..... Impulse model
- 946 141 F..... DHF model*
- 946 151 F..... AFNOR model
- 946 171 F..... NTP/ETH model
- 946 011..... Back cover for flush mounting

* Flush mounting is possible but not in metallic partition or equivalent which would perturb the reception of radio signal.