

## DESCRIPTION

Rack version



Wall-mounted version

### Wire or wireless time distribution.

- Master clock for synchronisation of a clock network.
- Quartz oscillator time base that can be synchronised by ALS, DCF or GPS antenna.
- 1 relay for alarm.
- 1 D1/D2 output.
- Automatic resetting of time distribution after power shortage.
- Automatic summer/winter changeover.

## STANDARDS

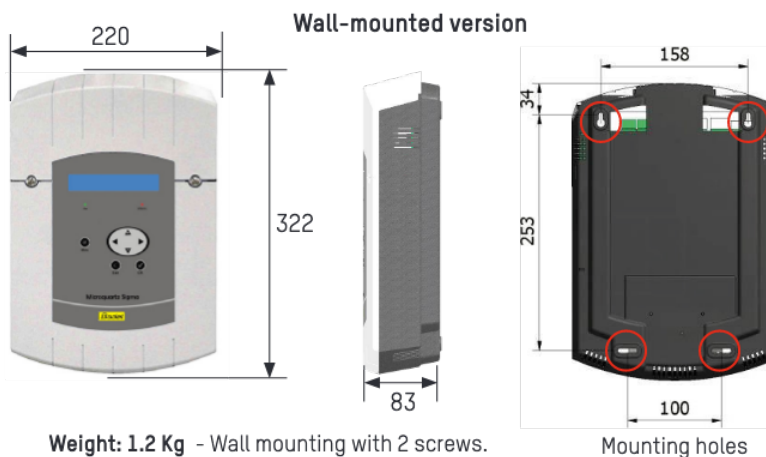
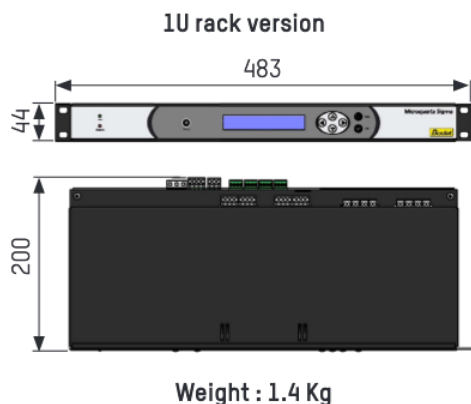
- Applicable standards: EN 60950 - EN 55022 - EN 550024 - EN 301-489-3 - EN 300 -220-3.
- IRIG.B/AFNOR standard: NFS 87500A.
- FI/DCF signal standard: NFC 90002.
- AFNOR/DHF standard: NFS 87500C, fixed channel 869,525 MHz at 500mW.

## GENERAL FEATURES

- **LED indicators**..... Power and alarm.
- **Quartz**..... TCXO (temperature compensated crystal oscillator).
- **Typical accuracy**..... 0.1 sec/day to 25°C and maximum 0.2 sec/day of 0 to 40°C.
- **Absolute accuracy**..... 50ms with radio antenna ALS or DCF, 2ms with GPS antenna.
- **Backlit LCD display**..... 2 lines of 24 characters.
- **LCD display**..... Hour - minute - second - date.
- **Backup**..... Of programming in flash memory and a Lithium battery keeps the internal clock running.
- **Access to the programming**..... Protected by access code.
- **Protection**..... Time distribution outputs protected against overloads and short circuits.

## MECHANICAL FEATURES

- **Construction**..... ABS casing for wall-mounted or aluminum casing for 19" rack (1U height).
- **Protection index**..... IP 41.
- **Operating temperature range**..... 0° to +50°C.
- **Keypad**..... Sensitive keys.



Dimensions in mm

Réf.: 643311S 12/20

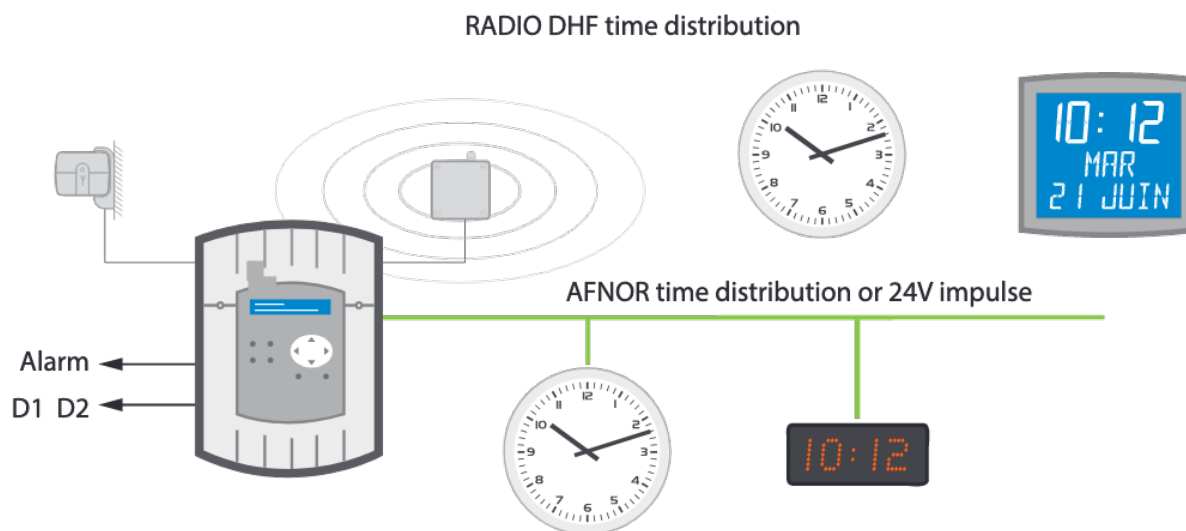
## ELECTRICAL FEATURES

- Power supply..... 24VDC (25W).  
100-240VAC ; 0.7 - 0.4A.

## I/O CONNECTIONS

- Sigma H Inputs/Outputs.....
  - 1 polarised impulse output (24V // min / ½ minute / second, 0.5A), SR2-59 or TBT 24V,
  - 1 DHF output for radio transmitter,
  - 1 IRIG B/AFNOR coded time output,
  - 1 relay for alarm,
  - 1 D1/D2 output.

## SCHEMATIC DIAGRAM



## REFERENCES

Wall	Rack	
907 411	907 413	..... Sigma H 100-240VAC
907 412	907 414	..... Sigma H 24VDC

## ACCESSORIES

- 907 025..... ALS radio antenna
- 907 026 ..... DCF radio antenna
- 907 037 ..... GPS antenna
- 907 512 ..... DHF transmitter
- 927 241 ..... DHF secondary transmitter